

Medcare Bariatric Ceiling Lift

MEDCARE
PRODUCTS



Manufactured in the United States, Medcare Ceiling Lifts are the leading transfer equipment choice for patients with limited mobility or little weight bearing capacity. Medcare Ceiling Lifts are ideal for rooms where space is limited. Medcare's assortment of track options and components allow installation in a variety of room and building styles. Combined with Medcare's training program, ceiling-mounted lifts increase nurse and caregiver usage, therefore increasing compliance with safe handling policies. Every client is unique. A client's needs vary considerably depending on body size, weight, level of mobility and immediate medical condition. Bariatric clients often exceed a lift's safe working load. This creates an unsafe working environment. Medcare's C1000 makes it possible to safely lift or transfer clients of all sizes with respect and dignity.

Item Number:

329100: C1000 Bariatric Ceiling Lift - lifts up to 1,000 lbs.

Features:

- Automatic sleep function provides battery conservation
- Auto-leveling hanger bar system
- Digital display time meter & battery health
- Manual or power traversing
- Return to charge option
- Continuous charge option or midtrack charger
- Visual/audible low battery indicator
- Emergency lowering system
- Built-in safety stops
- Pneumatic hand control
- Oversize buttons on hand control for easy operation
- Scale option
- Soft start/stop for comfort
- Heavy duty batteries for more lifts
- Efficient battery charge cycle
- 1 year warranty (excluding batteries)

“ Medcare Ceiling Lifts provide a safe, smooth and effortless transfer for patients and caregivers. ”

zbi

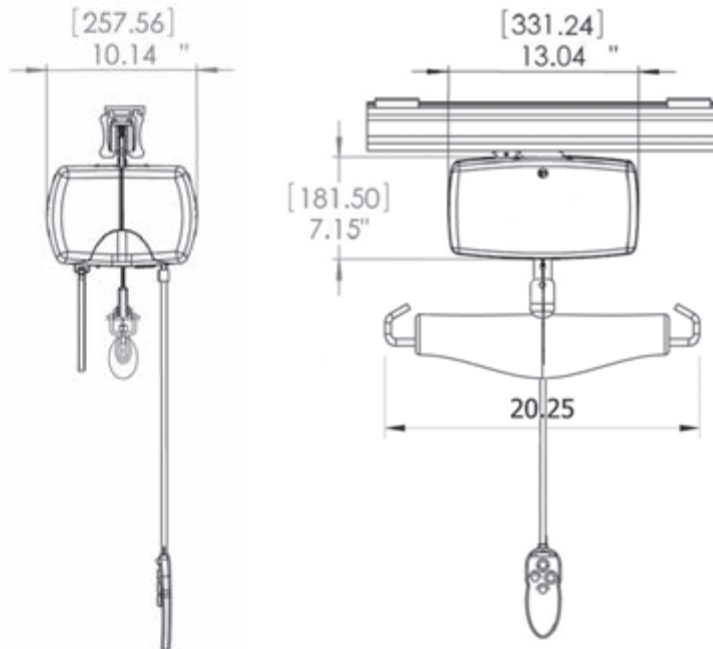
THE

Zero Back Injury System



Bariatric Ceiling Lift (cont.)

Model #329100 - lifts up to 1,000 lbs.



Technical Specifications

Lift Motor:	24 VDC	Lift Case:	Flame Retardant ABS
Traverse Motor:	24 VDC (Optional)	Hand Control:	Pneumatic
XY Traverse Motors:	24 VDC (Optional)	Lifting Height:	Up to 84"
Charger Input:	120 VAC, 1.0 Amps	Hoist Weight:	24.5 lbs.
Charger Output:	24 VDC, 1.5 Amps	Maximum Load:	1,000 lbs.
Batteries:	24 VDC, (2 x 12 VDC), 5.0 Ah	Warranty:	1 Year (Excludes batteries)

Product Highlights:

- Automatic sleep function provides battery conservation
- Digital display running time meter along with audio and visual battery life indicator
- The slack strap sensor ensures the lift strap will not continue to unwind if weight distribution is not even
- Manual lowering in the absence of power
- 4-point, non-rigid hanger bar design allows sling to conform to patient for added comfort
- Auto-leveling hanger bar system
- Range of sling sizes and styles for most transfers
- Onsite Assessment, Manufacturer's Qualified Installation, Training



Ceiling Lift Scale Option

The Medicare Ceiling Lift Scale attaches to any Medicare Ceiling Lift. The scale's digital readout functions up to 1,000 lbs.

Item Number: 400685



Hanger Bar Stopper Option

The Medicare Hanger Bar Stopper prevents sling loops from sliding off of the hanger bar hooks.

Item Number: 400611



Medicare Products

151 East Cliff Road
Burnsville, MN 55337

Toll-free: 800 695 4479
Fax: 952 300 2100

www.MedicareLifts.com

© 2014 Medicare Products Inc.

Rev 031714